

NCDXC

THE DXer

NORTHERN CALIFORNIA DX CLUB, INC., P O BOX 608, MENLO PARK, CA 94025

FEBRUARY 1978 VOL. XXXII, NR. 2 REPEATER WR6ACZ 147.96 IN, 147.36 OUT

MEETING NOTICE

PLACE: DINAH'S SHACK, 4269 El Camino, Palo Alto Directions: from Bayshore
take San Antonio West to
DATE: Friday, 10 FEB 78 El Camino, then right
4 blocks.
TIME: 6:30 Cocktails, 7:30 SHARP is Chow Time.
MENU: Beef Burgandy with all the trimmings. Price is \$6.50
AGENDA: Business meeting, followed by a SLIDE SHOW.

JO CLARKE, WB6ZUC will give her slide presentation on
her TRANS - ASIA TOUR

*** *** *** *** *** *** *** *** *** *** ***

HILITES OF THE JANUARY MEETING

We had 55 in attendance at the Holiday Inn in Belmont, and had 2 new Members voted into the Club; John Doremus, W0AW, and Neal Pinckney, WD6CAS. WELCOME!

An auction was held for 2 sets of 1977 Call Books, expertly done by John, W6SP.

Surprise of the evening was a short talk by Charlie Signer, WA9INK, the DX Editor of Worldradio News, who is coordinating the FOC for CRC - that's Friends of Clipperton and Clipperton Radio Club. Charlie will be one of the American operators on the up-coming Clipperton DXpedition, scheduled for March 22 - 29th. A combined group, headed by the French contingent, (with Swiss and American operators, too) will take off from California in early March on a 111 foot motor yacht. A \$40,000 price tag, mostly for the yacht rental, is the cost, and donations to help defray this expense will be gratefully received by Chas, c/o Worldradio News. For more up-date, consult Cas' WCDX Bulletin, and the March issue of the DXer. Finally, after 20 years, the most-wanted country in the world will be put on the air!

Our Speaker of the evening was Bip, W6BIP whose topic on RFI/TVI problem solving using ferrite rods and 200 uH chokes gave us all new insites on the plagues of interference. He stressed the importance of a good RF ground for the transmitter, and RF isolation of all other interference-prone units by means of RF chokes. The importance of isolation was even carried to not RF grounding Hi-Fi and TV's but instead isolating them from the power lines by winding the zip cords on ferrite rods. Long speaker leads should be isolated at the chassis with 200 uH RF chokes in both leads. The usual hi-pass filter on the TV antenna terminals is still necessary, as well as the lo-pass filter on the rig. He mentioned the trick of removing RF from mikes that bite, or RF in the key leads, using $\frac{1}{4}$ wave pieces of wire with one end tied to the rig and the other insulated and run near to ground. Theory is that if the far end is open, it acts as a high impedance and forces the other end to be low impedance at that frequency. In effect, this acts as a radial and establishes a low impedance RF ground at the transmitter. A very complete hand-out and demonstration examples complimented his informative presentation.

ANNOUNCEMENTS

- 1) The ARRL DX Contest is almost upon us. This year it will not be a NCDXCC effort, mainly because the ARRL BOD Meeting in January will be considering new proposals affecting Club competition which could change the structure, or even the need of the NCDXCC. Since this could mean a last minute change in Club participation, it was deemed better to have a friendly rivalry between the 2 Clubs, each using the 2 Meter repeater as before, but submitting scores separately. This should in no way affect the rivalry between the NCDXC and SCDXC since scores with the Cooperative could not be used for that anyway. So, for the moment the Cooperative is still alive, but has been set aside, pending the outcome of ARRL's BOD. Dual Members are free to submit their scores for the Club of their preference. In essence, we'll have those who raise DX by CQ and QRZ versus those who have skills at cracking pile-ups. Volume vs. Multipliers. Who wins??
- 2) The Japan trip by NCDXC is still in the wings. Bob, K6SSJ is still working on forming up the group, and would like to have some more commitments from those positively interested. Over 30 have already signed up.
- 3) We are in the throes of up-dating the Club Roster for the 1978 edition. Please send corrections to Pete, WB6OOL, ASAP.
- 4) Don't forget the International DX Convention at the Holiday Inn in Visalia on April 15-16th. The SCDXC promises a BIG program, including dignataries from Europe and South America. Make your reservations early and don't miss this one! Invitations from SCDXC will be arriving soon with all the good info.
- 5) Speaking of the Convention, our Annual Bus-load (loaded?) to the Convention will be coordinated by John, W6SP. Those wishing to reserve a seat on this years 'Famous Fling' should contact John post-haste to assure a super trip on a Galloping Greyhound.

W6CDJ, WALT COOPER - SILENT KEY

We are saddened by the news that Walt Cooper, W6CDJ passed away December 28th. Walt, a former Ford Motor Company executive (one of the Whiz Kids with Bob McNamara), had retired to Woodside where he chased the phone DX. He was, at one time, on our Board of Directors, and had 300 countries confirmed.

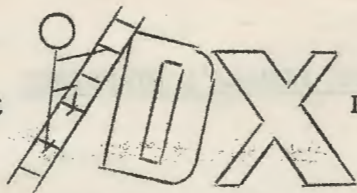
NCDXC MEMBERS STANDINGS up-date was not received in time for publication.

NCDXCC summary of claimed scores for CQ WW was not received in time, either.



CLIMBING THE DX LADDER is a contributor's column aimed at helping Little Guns climb the ol' Ladder. If you've got a helpful idea that you'd like to have kicked around, send it in and we'll kick it for you.

CLIMBING
THE



LADDER

CLIMBING THE DX LADDER is a contributor's column devoted to helping Little Guns toward that top rung. If you've got a helpful idea that needs discussing, send it along and we'll see to it that it gets disgusted.

XIT OPERATING

Last month's DXer discussed the simple conversion of your transceiver RIT into an XIT (Transmit Incremental Tuning) and the way it works. Since, in effect, you now have 2 VFO's on your transceiver, then all the neat tricks that could only be expertly done with separate transmitter/receiver combos, or a separate VFO, are now available to you.

For instance: split frequency calls. This scheme works very well in the BIG pile-ups because, in essence it gives you 2, or even 3 shots at cracking the pile, all in one transmission. The idea is to send your call once, quickly move the XIT (your transmit frequency) a half a KHz and send your call once again. If your first burst was possibly QRMed, chances are your second would be in the clear - or vice versa. If the DX station came back to you on your first burst, and you didn't get it because you were "2nd bursting", the good DX op will usually repeat his transmission because either: a) perhaps he figured his reply was QRMed, or b) he wrote your call into the log and doesn't want to erase it. If you think he came back to you because of his timing, quickly move the XIT back, come back to him and end your transmission with "QSL?" or "RST?". If it was you, he will acknowledge your request, and you're in the log.

Another scheme that can be implemented quickly with XIT is the "pattern recognition" method. DX operators generally have a set pattern in the way they operate. Some pick out replies from the outer edge of the pile, and others answer calls in a progressively higher (or lower) frequency. Some simply sit there and wait 'til they can pick out part of a call, and never touch their receiver dial. All of these ways of operating can be recognized by simply listening for a few minutes before jumping into the fray. Most of the time these insights gained by just listening will give you a "best plan of attack" to crack that pile-up. And with the instant flexibility of XIT your chances are vastly improved - to the point of being equal to those with separate receiver/transmitter combos. And of course the spot to transmit is dictated by that clever DX op at the other end - once you recognize his pattern.

Here's another one that was used so successfully by the late Dave Baker, W6WX. I would call it the "hesitation call". He would wait several seconds until the pile-up seemingly had an open spot, then he'd jump in right there with a "W6WX". It was really neat how he did it.

There are other techniques and the above are just a few that come to mind. The point of all this is that with that simple toggle switch modification on your transceiver you've just eliminated the need of a separate VFO, or receiver - as long as the frequency range of the pile-up is within the range of your RIT/XIT control, and CW DXing is your bag. Phone DXing is another story.

de N6GG

FLASH ANNOUNCEMENT. Visalia Bus to the BIG DX Convention - still room for 6 or 8 more. Same pick-up & delivery times as previous years. Round trip is \$20, and includes the booze and snacks - and a ride with some of the top DXers in the world - OH2BH, EA8CR, K3ZO, etc.. If you want to Go Greyhound, call Jim, W6CF at 353-2094, pronto.

CALL	DXCC HONOR ROLL		DXCC INCL. DEL.			5 BAND DXCC					WAZ		WPX		
	MIX	PH.	CW	MIX	PH.	CW	10M	15M	20M	40M	80M	MIX	PH.	MIX	PH.
WA6AHF				317			100	100	100	100	100		40		800
W6AM	319	318		362	359	120	151	179	362	142	127	40	40	473	468
K6AN				351									40		
N6AN				275			126	130	174	34	24			750	
K6AO	308			326	257		48	50	136	56	67		40		
W6BH				308	302		47	211	277	159	49				
W6BJB					275		74	100	49	12			40		
W6CDJ				300	249	1	138	180	240			40	40		
K6CN				80	125										
K6CQF	310			324			100	100	100	100	100		40		
K6DC	317			351	200								40		
W6ETR						160							38		300
WB6EXW				185											
W6FQF				128			5	37	105	7	2		37		
N6GG				301									40		
W6GPB	314			353									40	40	860
N6HR				301			100	100	100	92	38		40		
W6ISQ	316			344			157	189	219	122	110		40	40	847
W6JD				233	84	148							40		
W6JHN					146										
W6JZU				257											
W6KG	318			342	251		118	159	182	122	92		40	40	731
W6KOE					313									40	
W6KQN				265	260								40		
K6LQA				306									40		
W6LQC					307		69	100	100	35	67		40		571
W6LV				222											
K6MA	313			331	290	70	110	100	100	102	108		40	40	
W6MTJ				185											
W6MUR				330									40		
W6MZ				287									40		
W6NKR				289									40		
W6NLZ				221							221		40	40	
K6OJO				301	300		31	100	100	7	3		40	40	
W6OKK				250			76	100	100	100	76		40		
K6OZI				106											
K6OZL	312				100	100	20	100	100	100	100		40		
W6PSQ				230									40		
W6QL	315			323	245		110	120	132	101	64		40	40	
K6QX				285											
W6RGG	317			327	311								40	40	
WB6RIU				268	268		87	127	237	64	89		39	39	
W6RJ	316			333			100	100	100	100	100		40		
K6RK				248	238		98	100	100	100	100		39	38	
N6RR				289			116	201	176	129	88		40		
K6RU				300	250		100	100	100	100	97		40	38	
DJ6RX				301			100	100	100	100	100		40		
K6SMH				45									22		
W6TSQ				332			150	100	100	230	194		40		
W6TXR		318			318								40		
K6UGS				140									40		
WB6UJO					302								40		
K6UJS				296									40		
WB6UOM					293								40		

TRANSMIT INCREMENTAL TUNING - XIT

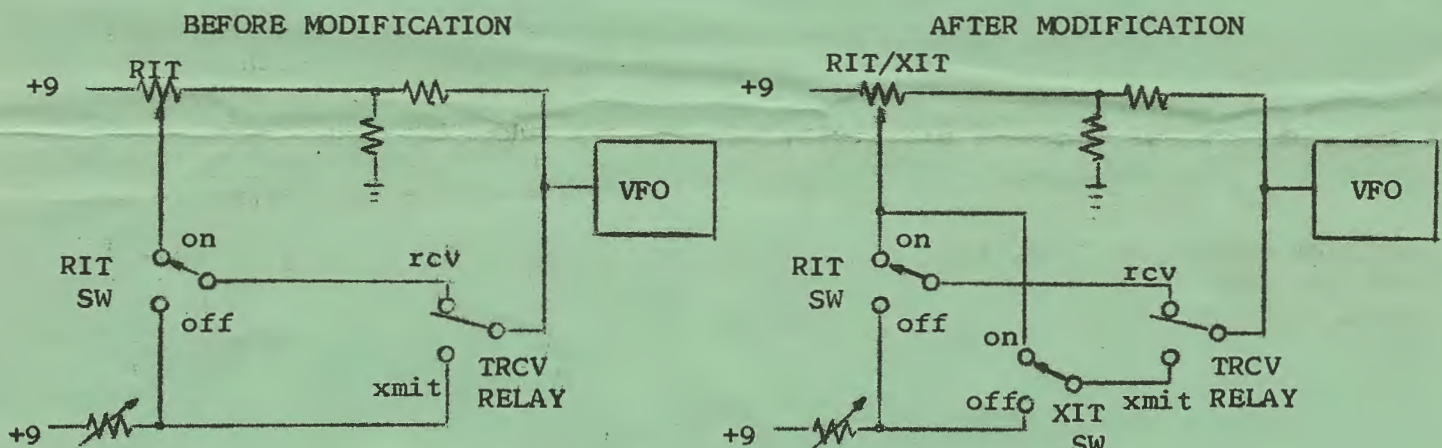
How would you like to have a separate VFO with a plus and minus 3 KHz spread that rides piggy-back along with your transceiver VFO? You've got it with the installation of a SPDT toggle switch connected to the RIT circuit, and we call it XIT - Transmit Incremental Tuning. (This modification was suggested by Adam, N6QR).

First, let's consider the need. In the December issue of the DXer the RIT control was discussed as a means for locating the guy in the CW pile-up who was working the DX station. The scheme was to engage the RIT control to hunt with and leave the transceiver VFO dial set on the DX station. Switching the RIT on-and-off, you'd be able to keep track of the DX station while hunting with the RIT control. When the guy was located, however, you were faced with the awkward task of reversing the positions of the VFO and RIT so that you could transmit where the DX was listening and receive the DX station with the RIT control. If one could simply transmit on the RIT frequency, leaving the VFO alone, it would save this awkward step, and this is where XIT comes in.

The installation of a simple toggle switch will convert your RIT into an RIT/XIT control. See FIG. 1: When the RIT is engaged and the XIT switch is on, you are free to scoot around the pile-up with your RIT dial, searching for the guy working the DX, while your transceiver VFO dial sets on the DX station. When you want to check the DX frequency, simply disengage the RIT control. (Puncha da button). Disengaging the RIT will not disengage the XIT, however. Only the toggle switch does that - and that's good because you want to hear that DX station come back to you without switching back-and-forth. OK - you've located the guy with your RIT/XIT dial and are zeroed in, matching his pitch with the sidetone pitch. Now disable the RIT and listen to the DX station signing. When you transmit, you are right on the frequency of the guy who just finished working the DX. When you listen, you listen to the DX station. And you've done this without touching the transceiver VFO dial.

de N6GG

FIG. 1. TS-820 RIT CIRCUIT



Note: The XIT switch was formerly the "SEND" switch on the TS-820.

GOOD GRIEF!

He who calls CQ DX on top of RARE DX can rightfully be called a SQUARED LID.

$$\frac{\text{CQ DX}}{\text{RARE DX}} = (\text{LID})^2$$

de N6GG

NORTHERN CALIFORNIA DX CLUB, INC., P.O. BOX 608, MENLO PARK, CA 94025

A non-profit Amateur Radio organization for the DX man. Founded in 1946.

The DXer, a Club bulletin, is published monthly for the benefit of its Members. Permission to use any portion of this publication is hereby granted, provided that credit is given to the DXer.

*** **

NCDXC OFFICERS:

President: Rich Lawton . . . N6GG
Vice Pres: John Browning . . W6SP
Secretary: Pete Grabosky . . WB600L
Treasurer: Maury Harp . . . W6KJG
Director: Merle Parten . . . K6DC
Director: Bob Thompson . . . K6SSJ
Director: Orm Meyer . . . K6QX

DXer Editor: Rich Lawton . . N6GG

Contributions to DXer are gratefully received. Please send to:

Rich Lawton, N6GG
1148 Glenn Ave
San Jose, Ca 95125

For NCDXC Members DX Ladder standings, please send to:

Chuck Patterson, K6RK
3101 Withers Ave
Lafayette, Ca 94549

NCDXC REPEATER: WR6ACZ

Trustee: Charlie Kump, W6ZYC
Input freq = 147.96 MHz
Output freq = 147.36 MHz
Suggested Simplex = 147.54 MHz

NCDXC THURSDAY NITE NET:

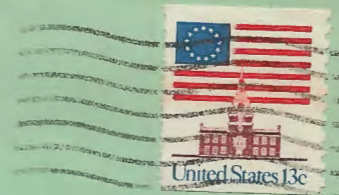
On WR6ACZ each Thursday at 8:00 PM

NCDXC DX BULLETIN BROADCASTS:

W6TI, the NCDXC Memorial station, broadcasts DX bulletins each Sunday at 1800Z, or Monday at 0200Z on 14002 MHz.

W6TI Trustee: Bob Vallio, W6RGG

NORTHERN CALIF. DX CLUB, INC.
P.O. Box 608
Menlo Park, Ca 94025



John Beck W4AI
RFD 3, Box 918
Merritt Is., Fla 32952

FIRST CLASS
FIRST CLASS
FIRST CLASS
FIRST CLASS